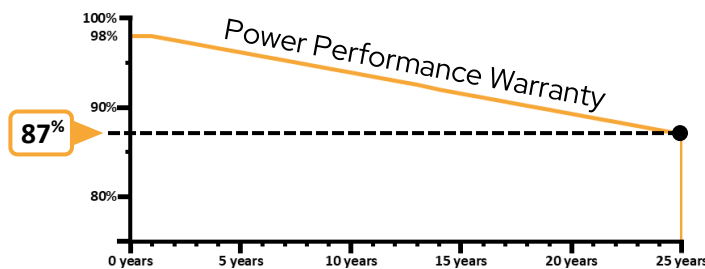


SVR-365-GA10-SR

All-in-One Solar Panel
for Asphalt Shingle Roofs

SolvariTM
SOLAR MADE EASY **SR**



2-Minute
Install



Direct-to-Deck
Rafter-Free



120-160 mph
Wind Rating



50 psf
Snow Rating



20.04%
Efficiency



Better Shade
Tolerance



Micro-Crack
Resistant



Rapid Shutdown
Compliant



No Ground Wire
PID Free



Class A
Fire Rating



Mechanical Specifications

Laminate Dimensions	68.86 x 40.63 x 0.22 in (1749 x 1032 x 5.5 mm)
Module Dimensions for Array Layout	70.61 x 42.38 x 3.0 in (1794 x 1077 x 76.2 mm)
Gap between Panels	1.75 in. (45 mm)
Weight	50 lbs (22.7 kg)
Frame	Frameless
Mounts	6 x Weather Resistant Polymer
Flashing	Flexible Flashing Tape
Fasteners	12 x Galvi Roofing Screws
Leveling	1.25 in. (32 mm)
Service	Laminate Quick Release
Front/Back Glass	2mm High Transmission, Low Iron, Tempered Glass
Cells	120 Split Cells Mono p-Type
Junction Box	IP68, 3 Diodes
Wiring	Prewired, 90 in. Jumper Cable
Connectors	Included

DC Electrical Specifications

Test Condition	STC	NOCT
Maximum Power - Pmax (W)	365 (±3%)	275
Open Circuit Voltage - Voc (V)	41.1	38.06
Short Circuit Current - Isc (A)	11.25	9.1
Voltage at Max Power Vmpp (V)	33.9	31.8
Current at Max Power Imp (A)	10.76	8.65
Module Efficiency	20.22%	

(STC) Standard Test Conditions: irradiance 1,000 W/m²; AM 1.5; module temperature 25°C. Pmax Sorting: 0-5W. Measuring Tolerance: ±3%.
(NOCT) Normal Operating Cell Temperature: irradiance 800w/m², wind speed 1 m/s, ambient temp 20°C, Measuring Tolerance ±3%

Temperature Specifications

NOCT	45°C (±2°C)
Temperature Coefficient - Voltage	-0.27%/°C
Temperature Coefficient - Current	+0.048%/°C
Temperature Coefficient - Power	-0.35%/°C
Operating Temperature Range	-40°C to +85°C

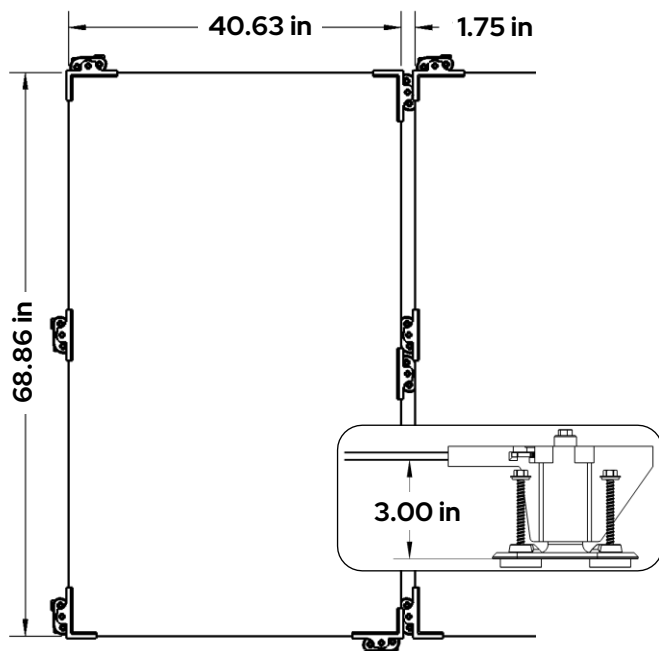
AC Electrical Specifications

Max Continuous Output Power (VA)	295
Nominal (L-L) Voltage Range (V)	240/208 (183-264)
Max Continuous Output Current (A)	1.23/1.42
Nominal Frequency/Range (Hz)	60/(59.3-60.5)
Peak/CEC Efficiency (%)	96.8/96.5
Max Circuit Over Current Protection (A)	20
Max No. of Solvari SR Modules/String	13

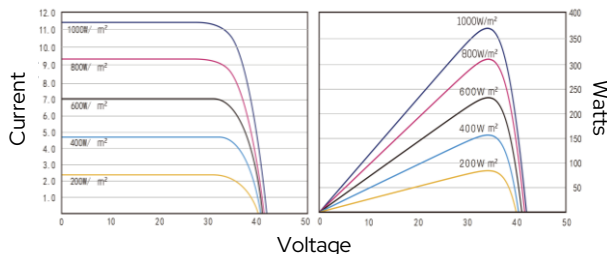
IEEE 1547.1-2020_9, NEC 2020 Section 690.12 DC Arc-Fault Circuit Protection, NEC 2020 Section 690.12 Rapid Shutdown of PV Systems on Buildings, NEC 2020 Section 705.12 Point of Connection (AC ArcFault Protection), CA Rule-21 UL 62109-1, HECO Certified UL1741 SA, UL 1741 SB, CSA C22.2 No. 107.1.

Shipping Specifications

Pallet Dimensions [in]	72.1 x 46.5 x 48.0
Standard Pallet No. Modules	13
24' Truck - No. Pallets/Module per	20/260
40' Truck - No. Pallets/Module per	40/520
Pallet Weight	800 lbs
Custom Pallet No. Modules	1-13
Shipping Options	B2B, B2C



Electrical Performance



Notes

- Installation instructions must be followed as well as all NEC and local code requirements.
- Solvari SR is patent protected by US patent 10,361,653.
- Due to continuous technical innovation and product improvements, the information within this datasheet may be modified at any time. Solvari has the sole right to make such modifications at any time without further notice.
- Solvari SR meets the following standards UL 6171, UL 1741, UL 1741 SA, UL 1741 SB, UL 1741 SC, UL 1741 SD, UL 1741 SE, UL 1741 SF, UL 1741 SG, UL 1741 SH, UL 1741 SI, UL 1741 SJ, UL 1741 SK, UL 1741 SL, UL 1741 SM, UL 1741 SN, UL 1741 SO, UL 1741 SP, UL 1741 SQ, UL 1741 SR, UL 1741 SS, UL 1741 ST, UL 1741 SU, UL 1741 SV, UL 1741 SW, UL 1741 SX, UL 1741 SY, UL 1741 SZ, UL 1741 TA, UL 1741 TB, UL 1741 TC, UL 1741 TD, UL 1741 TE, UL 1741 TF, UL 1741 TG, UL 1741 TH, UL 1741 TI, UL 1741 TJ, UL 1741 TK, UL 1741 TL, UL 1741 TM, UL 1741 TN, UL 1741 TO, UL 1741 TP, UL 1741 TQ, UL 1741 TR, UL 1741 TS, UL 1741 TT, UL 1741 TU, UL 1741 TV, UL 1741 TW, UL 1741 TX, UL 1741 TY, UL 1741 TZ, UL 1741 UA, UL 1741 UB, UL 1741 UC, UL 1741 UD, UL 1741 UE, UL 1741 UF, UL 1741 UG, UL 1741 UH, UL 1741 UI, UL 1741 UJ, UL 1741 UK, UL 1741 UL, UL 1741 UM, UL 1741 UN, UL 1741 UO, UL 1741 UP, UL 1741 UQ, UL 1741 UR, UL 1741 US, UL 1741 UT, UL 1741 UU, UL 1741 UV, UL 1741 UW, UL 1741 UX, UL 1741 UY, UL 1741 UZ, UL 1741 VA, UL 1741 VB, UL 1741 VC, UL 1741 VD, UL 1741 VE, UL 1741 VF, UL 1741 VG, UL 1741 VH, UL 1741 VI, UL 1741 VJ, UL 1741 VK, UL 1741 VL, UL 1741 VM, UL 1741 VN, UL 1741 VO, UL 1741 VP, UL 1741 VQ, UL 1741 VR, UL 1741 VS, UL 1741 VT, UL 1741 VU, UL 1741 VV, UL 1741 VW, UL 1741 VX, UL 1741 VY, UL 1741 VZ, UL 1741 WA, UL 1741 WB, UL 1741 WC, UL 1741 WD, UL 1741 WE, UL 1741 WF, UL 1741 WG, UL 1741 WH, UL 1741 WI, UL 1741 WJ, UL 1741 WK, UL 1741 WL, UL 1741 WM, UL 1741 WN, UL 1741 WO, UL 1741 WP, UL 1741 WQ, UL 1741 WR, UL 1741 WS, UL 1741 WT, UL 1741 WU, UL 1741 WV, UL 1741 WW, UL 1741 WX, UL 1741 WY, UL 1741 WZ, UL 1741 XA, UL 1741 XB, UL 1741 XC, UL 1741 XD, UL 1741 XE, UL 1741 XF, UL 1741 XG, UL 1741 XH, UL 1741 XI, UL 1741 XJ, UL 1741 XK, UL 1741 XL, UL 1741 XM, UL 1741 XN, UL 1741 XO, UL 1741 XP, UL 1741 XQ, UL 1741 XR, UL 1741 XS, UL 1741 XT, UL 1741 XU, UL 1741 XV, UL 1741 XW, UL 1741 XX, UL 1741 XY, UL 1741 XZ, UL 1741 YA, UL 1741 YB, UL 1741 YC, UL 1741 YD, UL 1741 YE, UL 1741 YF, UL 1741 YG, UL 1741 YH, UL 1741 YI, UL 1741 YJ, UL 1741 YK, UL 1741 YL, UL 1741 YM, UL 1741 YN, UL 1741 YO, UL 1741 YP, UL 1741 YQ, UL 1741 YR, UL 1741 YS, UL 1741 YT, UL 1741 YU, UL 1741 YV, UL 1741 YW, UL 1741 YX, UL 1741 YZ, UL 1741 ZA, UL 1741 ZB, UL 1741 ZC, UL 1741 ZD, UL 1741 ZE, UL 1741 ZF, UL 1741 ZG, UL 1741 ZH, UL 1741 ZI, UL 1741 ZJ, UL 1741 ZK, UL 1741 ZL, UL 1741 ZM, UL 1741 ZN, UL 1741 ZO, UL 1741 ZP, UL 1741 ZQ, UL 1741 ZR, UL 1741 ZS, UL 1741 ZT, UL 1741 ZU, UL 1741 ZV, UL 1741 ZW, UL 1741 ZX, UL 1741 ZY, UL 1741 ZZ.
- Approved for use on 3-tab and high-definition architectural shingles with a maximum shingle layer change of 0.35in (9mm).
- Maximum allowable gap between plywood or skip sheathing is 1/8".